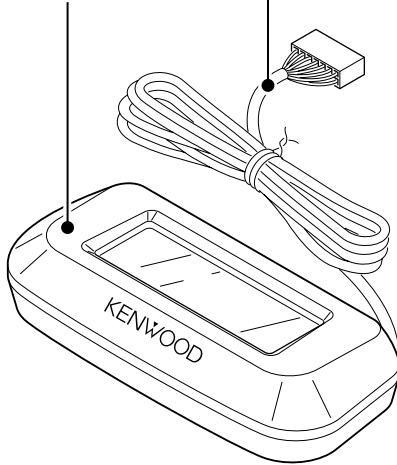


# KPA-HD100

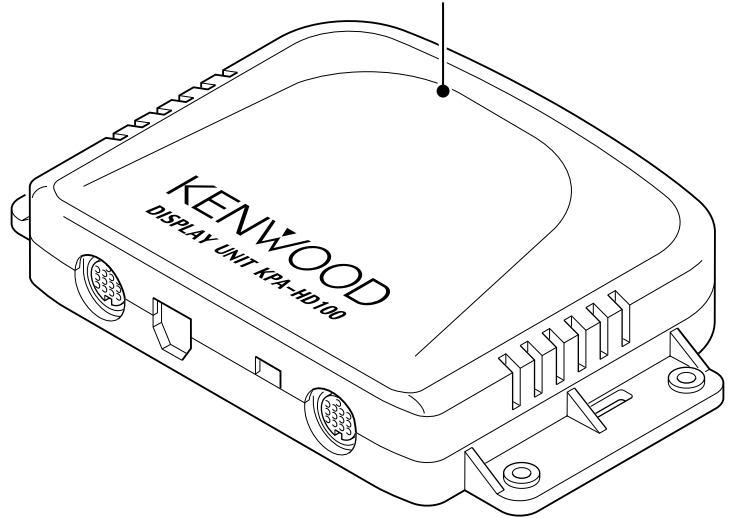
## SERVICE MANUAL

Plastic cabinet assy  
(A02-2703-08)

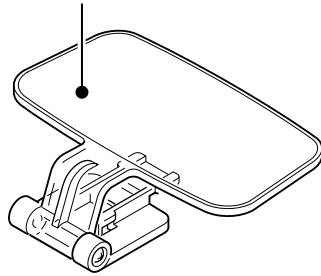
Cord with plug  
(E30-4915-08)



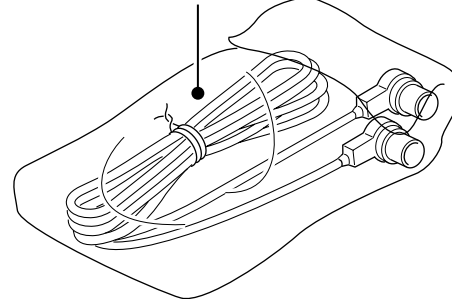
Plastic cabinet  
(A02-1499-08)



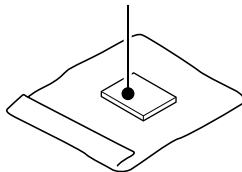
Mirror assy  
(B19-2075-08)



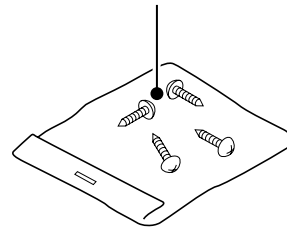
Cord with plug(13P DIN)  
(E30-4276-05)



Adhesive double-coated tape  
(H30-0535-08)

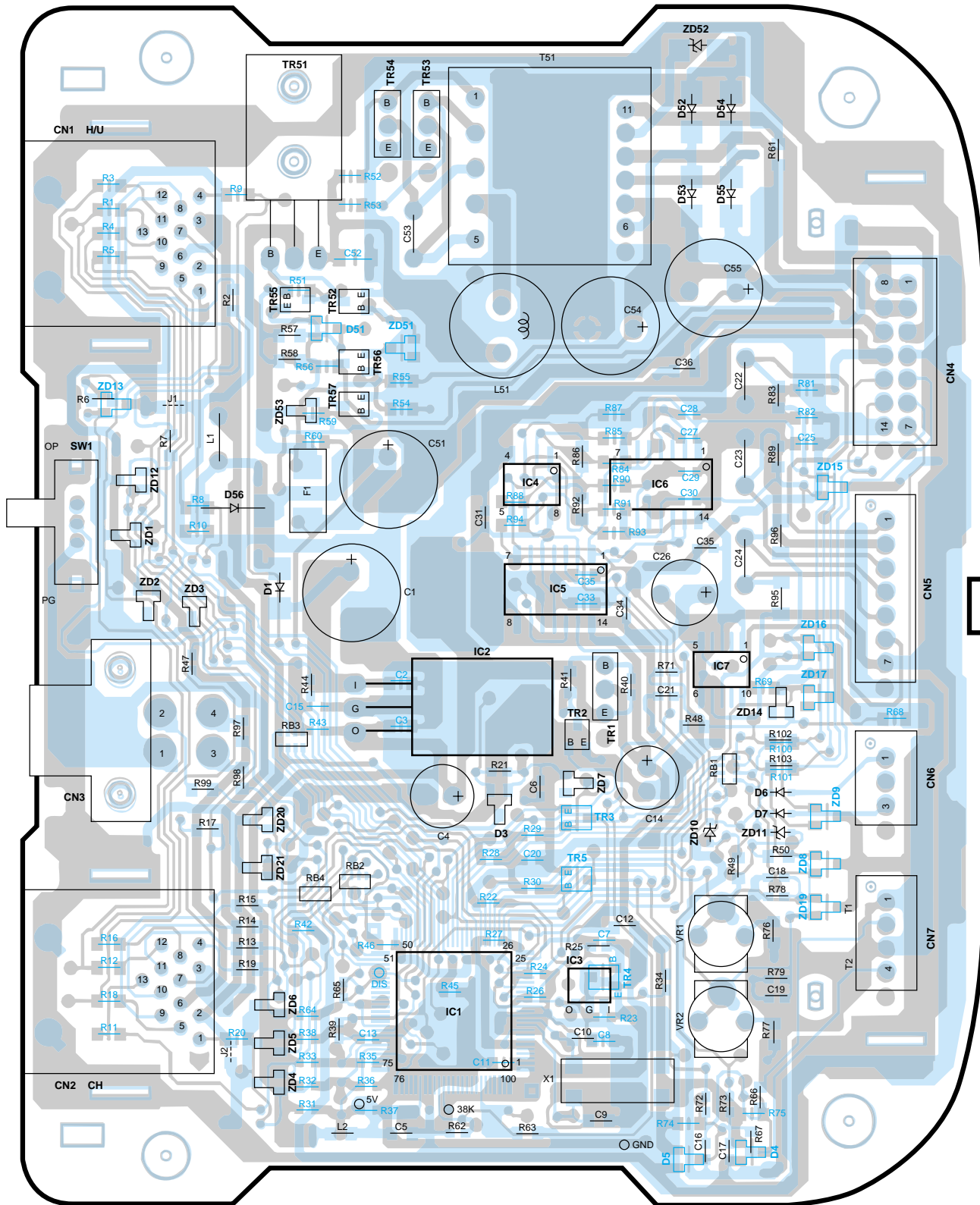


Screw set  
(N99-1696-08)



# PC BORD (COMPONENT SIDE VIEW)

## ADAPTOR PCB UNIT

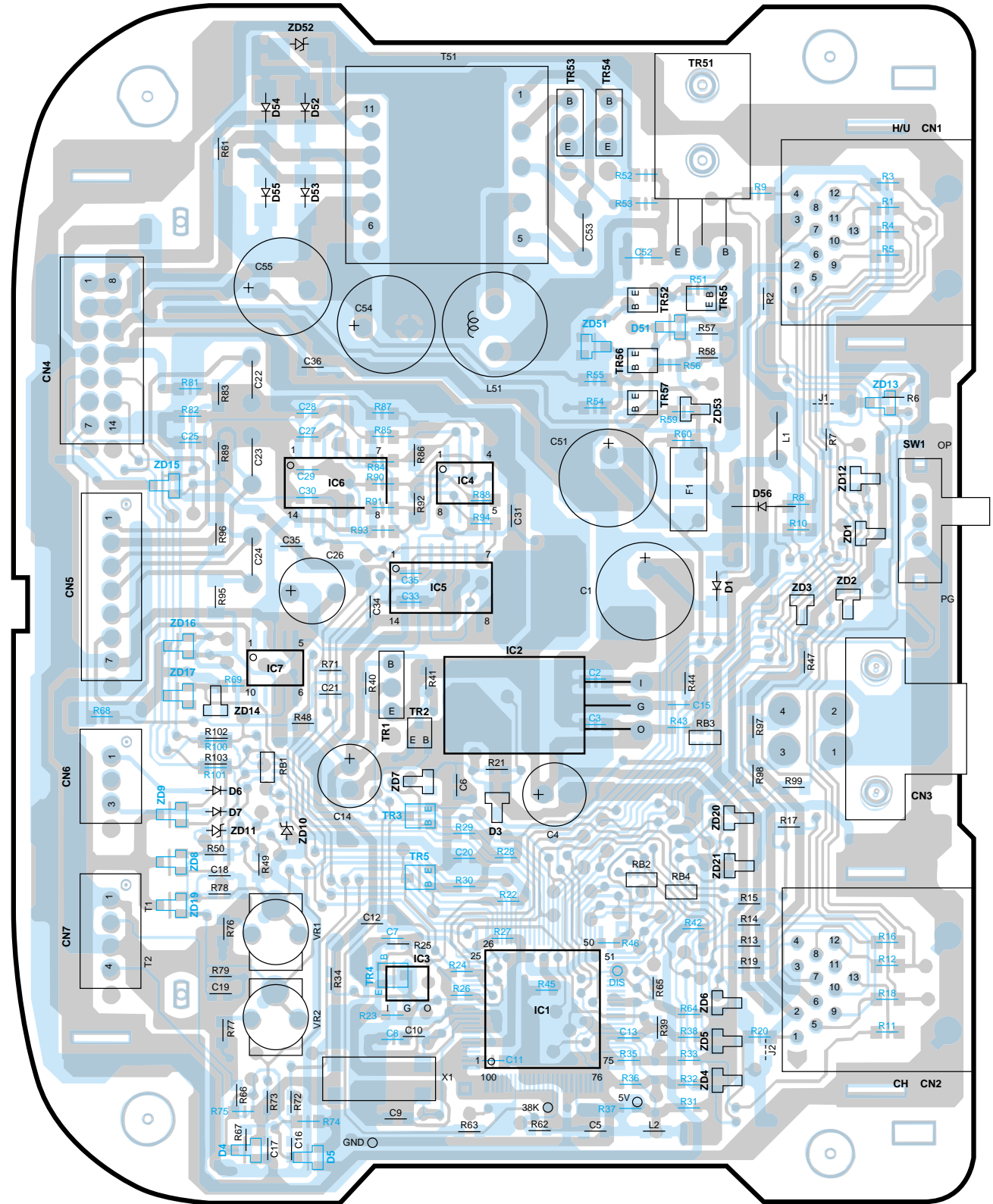


IC	address
1	6C
2	4C
3	6C
4	3C
5	4C
6	3D
7	4D

2 Refer to the schematic diagram for the values of resistors and capacitors.

# PC BORD (FOIL SIDE VIEW)

## ADAPTOR PCB UNIT

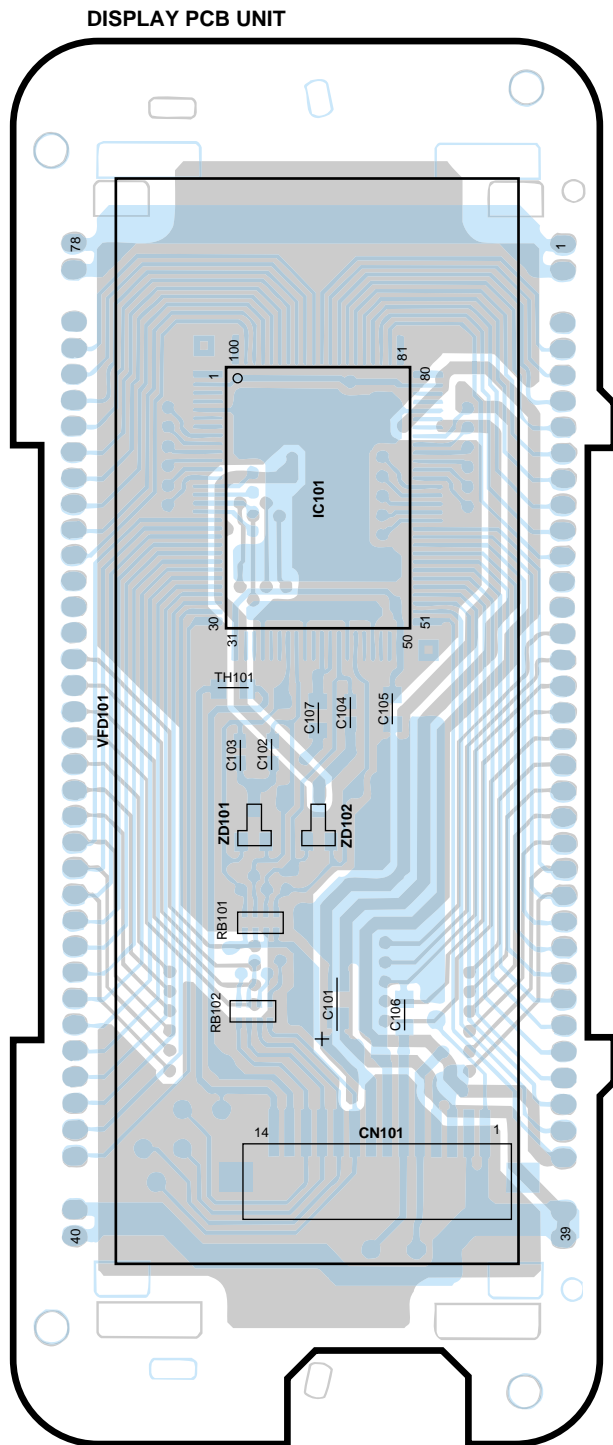


IC	address
1	6H
2	4H
3	6H
4	3H
5	4H
6	3G
7	4G

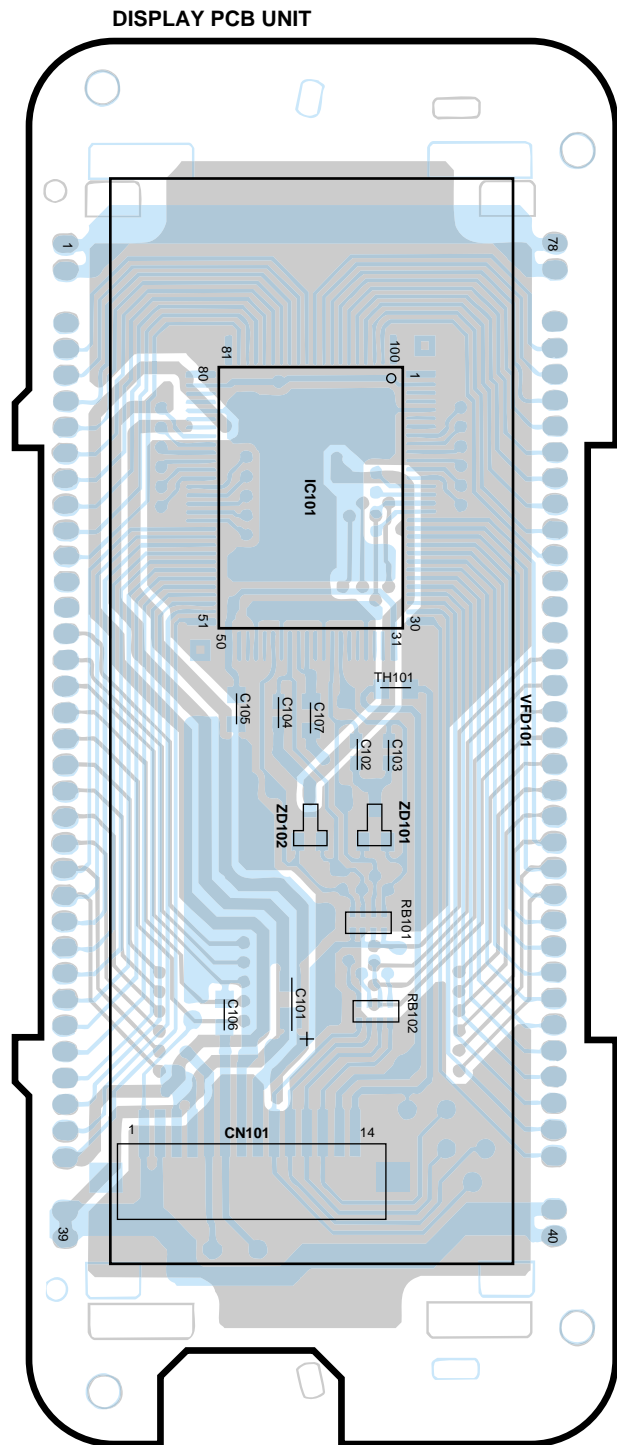
Refer to the schematic diagram for the values of resistors and capacitors.

# PC BORD

## (COMPONENT SIDE)



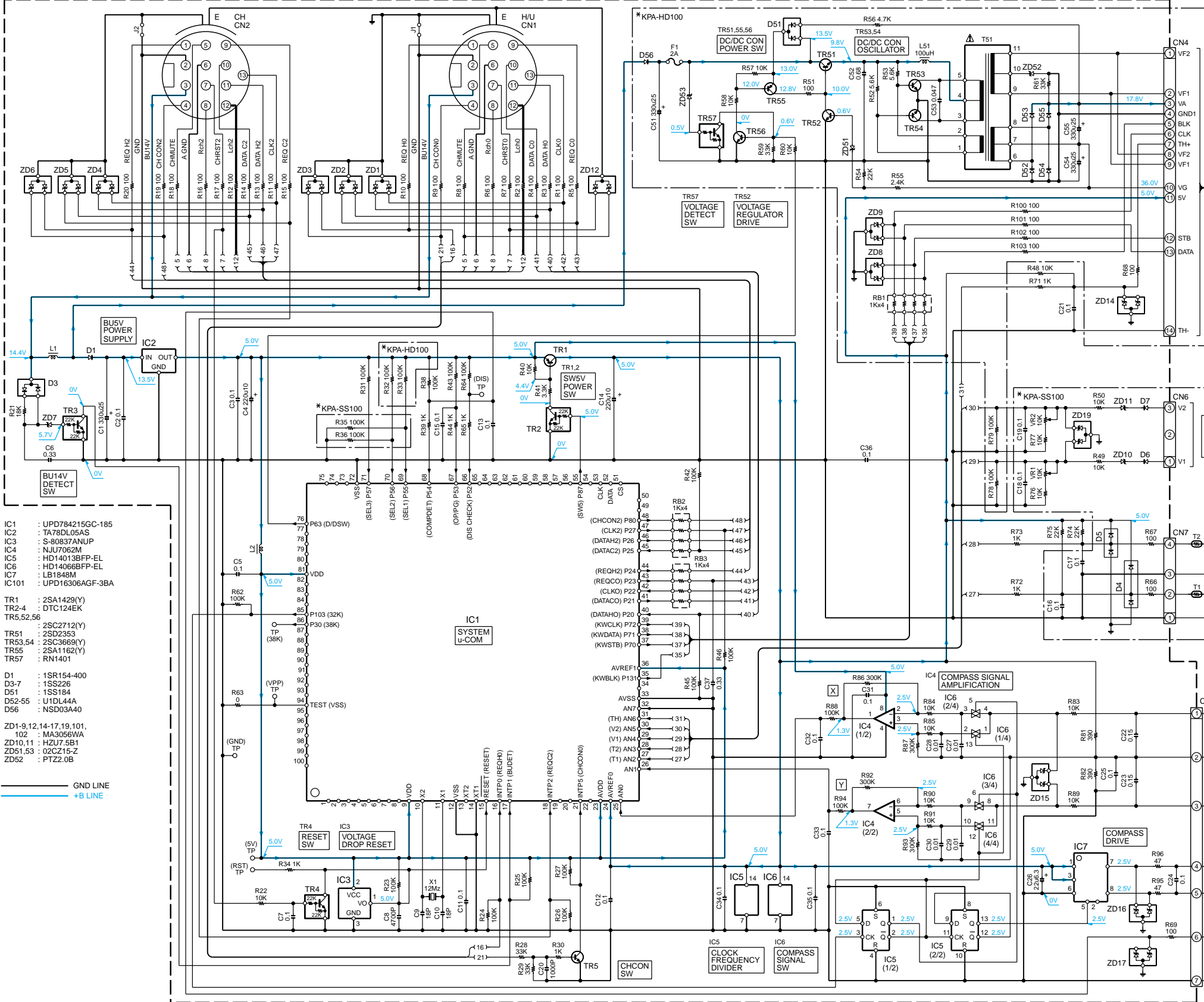
## (FOIL SIDE VIEW)



IC	address
101	3L

IC	address
101	3N

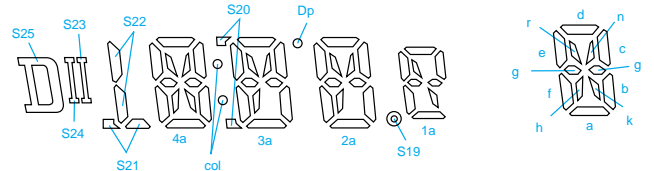
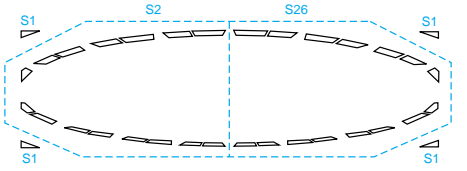
ADAPTOR PCB UNIT



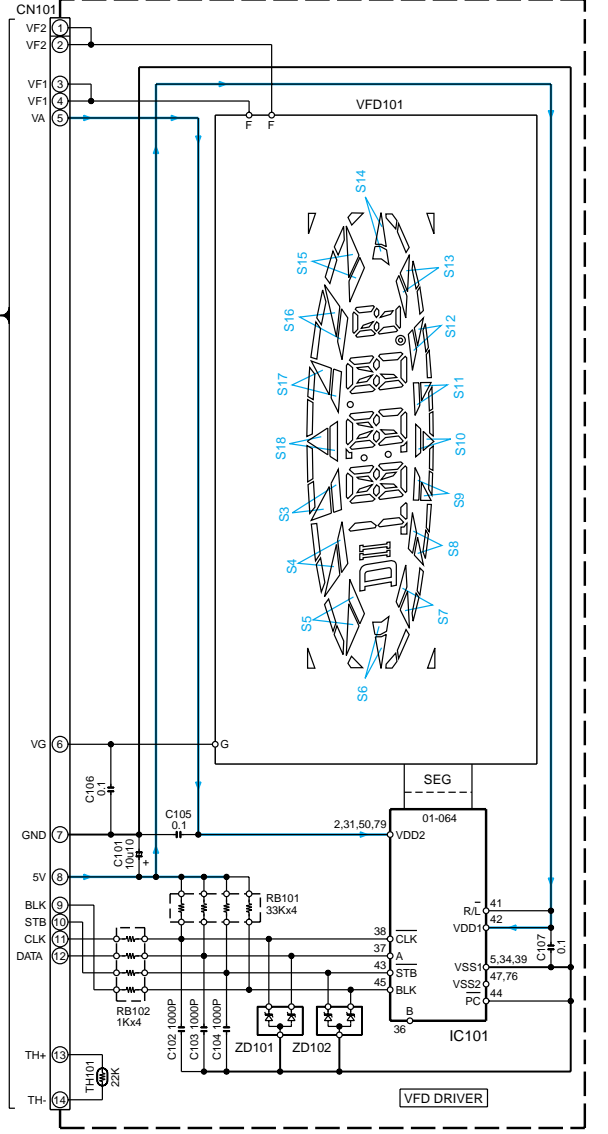
- IC1 : UPD784215GC-185  
 IC2 : TA78DL05AS  
 IC3 : S-80837ANUP  
 IC4 : NJU7062M  
 IC5 : HD14013BFP-EL  
 IC6 : HD14066BFP-EL  
 IC7 : LB1848M  
 IC101 : UPD16306AGF-3BA
- TR1 : 2SA1429(Y)  
 TR2-4 : DTC124EK  
 TR5,52,56 : 2SC2712(Y)  
 TR51 : 2SD2353  
 TR53,54 : 2SC3669(Y)  
 TR55 : 2SA1162(Y)  
 TR57 : RN1401
- D1 : 1SR154-400  
 D3-7 : 1SS226  
 D51 : 1SS184  
 D52-55 : U1DL44A  
 D56 : NSD03A40
- ZD1-9,12,14-17,19,101, 102 : MA3056WA  
 ZD10,11 : HZU7.5B1  
 ZD51,53 : 02C215-Z  
 ZD52 : PTZ2.0B

— GND LINE  
 — +B LINE

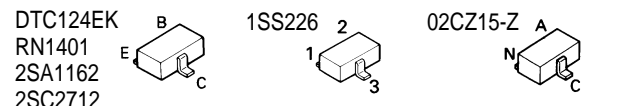
**CAUTION:** For continued safety, replace safety critical components only with manufacturer's recommended parts (refer to parts list).  
 ⚠ Indicates safety critical components. To reduce the risk of electric shock, leakage-current or resistance measurements shall be carried out (exposed parts are acceptably insulated from the supply circuit) before the appliance is returned to the customer.  
 • DC voltages are as measured with a high impedance voltmeter. Values may vary slightly due to variations between individual instruments or/and units.



DISPLAY PCB UNIT (KPA-HD100 ONLY)

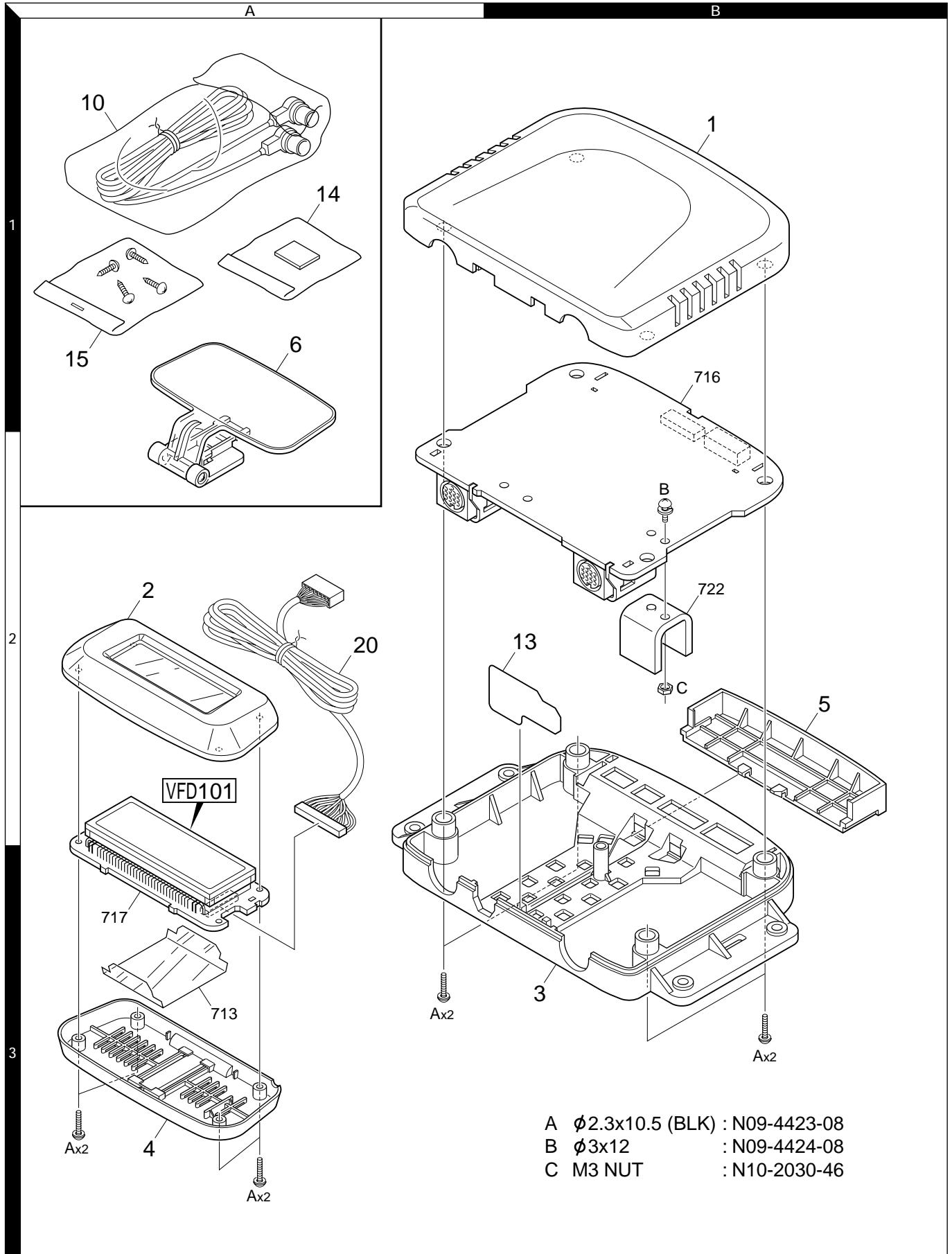


DRIVER IC				VFD(LED)			
PIN No.	PIN NAME	PIN No.	SEGMENT	PIN No.	PIN NAME	PIN No.	SEGMENT
51	01	36	S11	91	03	74	S1
52	02	35	S12	92	04	73	S2
53	03	34	S13	93	05	72	S5
54	04	33	S14	94	06	71	S4
55	05	32	3a	95	07	70	S3
56	06	31	3f	96	08	69	S25
57	07	30	3f	97	09	68	S24
58	08	29	3b	98	10	67	S23
59	09	28	3g	99	11	66	S22
60	10	27	3e	8	12	65	S21
61	11	26	3r	9	13	64	S18
62	12	25	3n	10	14	63	Dp
63	13	24	3c	11	15	62	2a
64	14	23	3d	12	16	61	2d
65	15	22	S20	13	17	60	2h
66	16	21	S10	14	18	59	2b
67	17	20	col.	15	19	58	2g
68	18	19	4a	16	20	57	2e
69	19	18	4f	17	21	56	2r
70	20	17	4h	18	22	55	2n
71	21	16	4k	19	23	54	2c
72	22	15	4b	20	24	53	2f
73	23	14	4g	21	25	52	S19
74	24	13	4e	22	26	51	1d
75	25	12	4r	23	27	50	1k,1r
76	26	11	4n	24	28	49	1g
77	27	10	4c	25	29	48	1e,1f
78	28	9	4d	26	30	47	1a
79	29	8	3g	27	31	46	S9
80	30	7	S7	28	32	45	S16
81	31	6	S8	29	33	44	S15
82	32	5	S6	30	34	43	S26



# KPA-HD100

## EXPLODED VIEW



Parts with the exploded numbers larger than 700 are not supplied.

# KPA-HD100

## PARTS LIST

\* New Parts

Parts without **Parts No.** are not supplied.

Les articles non mentionnes dans le **Parts No.** ne sont pas fournis.

Teile ohne **Parts No.** werden nicht geliefert.

Ref. No.	Ad	New	Parts No.	Description	Destina
<b>KPA-HD100</b>					
1	1B	*	A02-1499-08	PLASTIC CABINET (ADAPTER)	
2	2A	*	A02-2703-08	PLASTIC CABINET ASSY (DISPLAY)	
3	3B	*	A46-1699-08	REAR COVER (ADAPTER)	
4	3A	*	A46-1700-08	REAR COVER (DISPLAY)	
5	2B	*	A53-1691-08	DUST COVER	
6	2A	*	B19-2075-08	MIRROR ASSY	
-		*	B46-0100-50	WARRANTY CARD	
-		*	B64-1722-00	INSTRUCTION MANUAL	
10	1A		E30-4276-05	CORD WITH PLUG (13P DIN)	
13	2B	*	F19-1376-08	BLIND PLATE	
14	1A	*	H30-0535-08	ADHESIVE DOUBLE-COATED TAPE	
-		*	H12-2684-08	PACKING FIXTURE	
-		*	H25-1145-08	PROTECTION BAG (120X200X.05)	
-		*	H25-1146-08	PROTECTION BAG (150X260X.05)	
-		*	H54-1848-08	ITEM CARTON CASE	
15	1A	*	N99-1696-08	SCREW SET	
A	3B	*	N09-4423-08	TAPTITE SCREW (2.3X10.5)	
B	1B	*	N09-4424-08	SEMS (MACHINE SCREW 3X12)	
C	2B		N10-2030-46	HEXAGON NUT (M3)	
<b>ELECTRONIC UNIT</b>					
C1			C90-2695-05	ELECTRO 330UF 25WV	
C2 ,3			CK73FB1E104K	CHIP C 0.10UF K	
C4			C90-2673-05	ELECTRO 220UF 10WV	
C5			CK73FB1E104K	CHIP C 0.10UF K	
C6 ,7		*	C93-1155-08	CHIP C 0.1UF Z	
C8		*	C93-1154-08	CHIP C 4700PF K	
C9 ,10		*	C93-1153-08	CHIP C 18PF J	
C11 ,12			CK73FB1E104K	CHIP C 0.10UF K	
C13		*	C93-1155-08	CHIP C 0.1UF Z	
C14			C90-2673-05	ELECTRO 220UF 10WV	
C15		*	C93-1155-08	CHIP C 0.1UF Z	
C20			CK73GB1H102K	CHIP C 1000PF K	
C21		*	C93-1155-08	CHIP C 0.1UF Z	
C22 ,23			C91-2054-05	MF 0.15UF J	
C24			C91-2052-05	MF 0.10UF J	
C25			CK73FB1E104K	CHIP C 0.10UF K	
C26			C90-2549-05	ELECTRO 22UF 6.3WV	
C27 -30			CK73GB1H103K	CHIP C 0.010UF K	
C32 ,33			CK73FB1E104K	CHIP C 0.10UF K	
C34 ,35		*	C93-1155-08	CHIP C 0.1UF Z	
C36			CK73FB1E104K	CHIP C 0.10UF K	
C51			C90-2695-05	ELECTRO 330UF 25WV	
C52		*	C93-1156-08	CHIP C 0.68UF Z	
C53		*	C91-2178-08	MP-C 0.047UF 100WV	
C54 ,55		*	C90-5351-08	ELECTRO 330UF 25WV	
C101		*	C92-1611-08	CHIP C 10UF M	
C102-104			CK73GB1H102K	CHIP C 1000PF K	
C105,106		*	C93-1157-08	CHIP C 0.1UF Z	
C107			CK73FB1H104K	CHIP C 0.10UF K	
20	2A	*	E30-4915-08	CORD WITH PLUG	
CN1 ,2		*	E41-0094-08	PIN ASSY	

Ref. No.	Ad	New	Parts No.	Description	Destina
CN4		*	E41-0091-08	PIN ASSY	
CN5		*	E41-0092-08	PIN ASSY	
CN101		*	E41-0093-08	PIN ASSY	
F1			F53-0177-05	FUSE	
L1		*	L33-1167-08	SMALL FIXED INDUCTOR	
L2		*	L33-1169-08	SMALL FIXED INDUCTOR	
L51		*	L33-1168-08	SMALL FIXED INDUCTOR	
T51		*	L19-0596-08	TRANSFORMER FOR CONVERTER	
X1		*	L78-0822-08	RESONATOR	
J1 -3			R92-2052-05	CHIP R 0	J 1/10W
R1 -20			RK73FB2A101J	CHIP R 100	J 1/10W
R21			RK73GB1J183J	CHIP R 18K	J 1/16W
R22			RK73GB1J103J	CHIP R 10K	J 1/16W
R23 -27			RK73GB1J104J	CHIP R 100K	J 1/16W
R28 ,29			RK73GB1J333J	CHIP R 33K	J 1/16W
R30			RK73GB1J102J	CHIP R 1.0K	J 1/16W
R31 -33			RK73GB1J104J	CHIP R 100K	J 1/16W
R34			RK73GB1J102J	CHIP R 1.0K	J 1/16W
R38			RK73GB1J104J	CHIP R 100K	J 1/16W
R39			RK73GB1J102J	CHIP R 1.0K	J 1/16W
R40			RK73GB1J103J	CHIP R 10K	J 1/16W
R41			RK73FB2A332J	CHIP R 3.3K	J 1/10W
R42 ,43			RK73GB1J104J	CHIP R 100K	J 1/16W
R44			RK73GB1J102J	CHIP R 1.0K	J 1/16W
R45 ,46			RK73GB1J104J	CHIP R 100K	J 1/16W
R48		*	R92-3223-08	CHIP R 10K	F 1/10W
R51			RK73FB2A101J	CHIP R 100	J 1/10W
R52 ,53			RK73FB2A562J	CHIP R 5.6K	J 1/10W
R54			RK73FB2A223J	CHIP R 22K	J 1/10W
R55			RK73FB2A242J	CHIP R 2.4K	J 1/10W
R56			RK73FB2A472J	CHIP R 4.7K	J 1/10W
R57 ,58			RK73FB2A103J	CHIP R 10K	J 1/10W
R59			RK73FB2A333J	CHIP R 33K	J 1/10W
R60			RK73FB2A103J	CHIP R 10K	J 1/10W
R61			RK73FB2A333J	CHIP R 33K	J 1/10W
R62			RK73GB1J104J	CHIP R 100K	J 1/16W
R64			RK73GB1J104J	CHIP R 100K	J 1/16W
R65			RK73GB1J102J	CHIP R 1.0K	J 1/16W
R68 ,69			RK73FB2A101J	CHIP R 100	J 1/10W
R71 -73			RK73GB1J102J	CHIP R 1.0K	J 1/16W
R74 ,75		*	R92-3224-08	CHIP R 22K	F 1/10W
R78 ,79		*	RK73GB1J104J	CHIP R 100K	J 1/16W
R81 ,82		*	R92-3222-08	CHIP R 390	F 1/10W
R83			RK73FB2A103J	CHIP R 10K	J 1/10W
R84 ,85		*	R92-3223-08	CHIP R 10K	F 1/10W
R86 ,87		*	R92-3225-08	CHIP R 300K	F 1/10W
R88			RK73FB2A104J	CHIP R 100K	J 1/10W
R89			RK73FB2A103J	CHIP R 10K	J 1/10W
R90 ,91		*	R92-3223-08	CHIP R 10K	F 1/10W
R92 ,93		*	R92-3225-08	CHIP R 300K	F 1/10W
R94			RK73FB2A104J	CHIP R 100K	J 1/10W
R95 ,96			RK73EB2B470J	CHIP R 47	J 1/8W
R100-103			RK73FB2A101J	CHIP R 100	J 1/10W
RB1 -3			R90-0724-05	MULTI-COMP 1K X4	

## PARTS LIST

\*New Parts

Parts without **Parts No.** are not supplied.

Les articles non mentionnes dans le **Parts No.** ne sont pas fournis.

Teile ohne **Parts No.** werden nicht geliefert.

### ELECTRONIC UNIT

Ref. No.	A d d	N e w	Parts No.	Description	Dest inati on
RB101			R90-0730-05	MULTI-COMP 33K X4	
RB102			R90-0724-05	MULTI-COMP 1K X4	
D1			1SR154-400	DIODE	
D3			1SS226	DIODE	
D51			1SS184	DIODE	
D52			U1DL44A	DIODE	
D53			U1DL44A	DIODE	
D54 ,55			U1DL44A	DIODE	
D56		*	NSD03A40	DIODE	
IC1		*	UPD784215GC185	MI-COM IC	
IC2			TA78DL05AS	IC	
IC3		*	S-80837ANUP	IC	
IC4		*	NJU7062M	IC	
IC5		*	HD14013BFP-EL	MOS-IC	
IC6		*	HD14066BFP-EL	MOS-IC	
IC7		*	LB1848M	IC	
IC101		*	UPD16306AGF3BA	MOS-IC	
TH101		*	NTH5G20P223J	THERMISTOR	
TR1		*	2SA1429(Y)	TRANSISTOR	
TR2 -4			DTC124EK	DIGITAL TRANSISTOR	
TR5			2SC2712(Y)	TRANSISTOR	
TR51		*	2SD2353	TRANSISTOR	
TR52			2SC2712(Y)	TRANSISTOR	
TR53,54		*	2SC3669(Y)	TRANSISTOR	
TR55			2SA1162(Y)	TRANSISTOR	
TR56			2SC2712(Y)	TRANSISTOR	
TR57			RN1401	TRANSISTOR	
VFD101		*	BH183GN	FLUORESCENT INDICATOR TUBE	
ZD1			MA3056WA	ZENER DIODE	
ZD2			MA3056WA	ZENER DIODE	
ZD3			MA3056WA	ZENER DIODE	
ZD4 -9			MA3056WA	ZENER DIODE	
ZD12			MA3056WA	ZENER DIODE	
ZD14-17			MA3056WA	ZENER DIODE	
ZD51		*	O2CZ15-Z	ZENER DIODE	
ZD52		*	PTZ2.0B	ZENER DIODE	
ZD53		*	O2CZ15-Z	ZENER DIODE	
ZD101,102			MA3056WA	ZENER DIODE	

Ref. No.	A d d	N e w	Parts No.	Description	Dest inati on



# KPA-HD100

---

**KENWOOD** follows a policy of continuous advancements in development. For this reason specifications may be changed without notice.

---

## KENWOOD CORPORATION

14-6, Dogenzaka 1-chome, Shibuya-ku, Tokyo 150-8501 Japan

**KENWOOD SERVICE CORPORATION**  
P.O. BOX 22745, 2201 East Dominguez Street, Long Beach, CA90801-5745, U.S.A.

**KENWOOD ELECTRONICS CANADA INC.**  
6070 Kestrel Road, Mississauga, Ontario, Canada L5T 1S8

**KENWOOD ELECTRONICS LATIN AMERICA S.A.**  
P.O. BOX 55-2791, Piso 6, Plaza Chase, Cl. 47 y, Aquilino de la Guardia, Panama, Republic of Panama

**KENWOOD ELECTRONICS BRASIL LTDA.**  
Av. Moema, 170-17, Andar-Cobertura "B", Ed. Maximum Service Center, 04077-020 Moema, São Paulo-SP-Brasil

**KENWOOD ELECTRONICS UK LIMITED**  
Kenwood House, Dwight Road, Watford, Herts, WD1 8EB, United Kingdom

**KENWOOD ELECTRONICS DEUTSCHLAND GMBH**  
Rembrücker-Str. 15, 63150 Heusenstamm, Germany

**KENWOOD ELECTRONICS FRANCE S.A.**  
13, Boulevard Ney, 75018 Paris, France

**KENWOOD ELECTRONICS BELGIUM N.V.**  
Mechelsesteenweg 418, B-1930 Zaventem, Belgium

**KENWOOD ELECTRONICS ITALIA S.p.A.**  
Via G. Sirtori 7/9, 20129 Milano, Italy

**KENWOOD IBÉRICA S.A.**  
Bolivia, 239-08020 Barcelona, Spain

**KENWOOD ELECTRONICS AUSTRALIA PTY. LTD. (A.C.N. 001 499 074)**  
16 Giffnock Avenue, North Ryde, N.S.W. 2113, Australia

**KENWOOD ELECTRONICS (HONG KONG) LTD.**  
Unit 3712-3724, Level 37, Tower 1, Metroplaza, 223 Hing Fong Road, Kwai Fong, N.T., Hong Kong

**KENWOOD ELECTRONICS GULF FZE**  
P.O. Box 61318, Jebel Ali, Dubai, U.A.E.

**KENWOOD ELECTRONICS (THAILAND) CO., LTD.**  
2019 New Pechburi Road, Bangkapi, Huaykwang, Bangkok, 10320 Thailand

**KENWOOD ELECTRONICS SINGAPORE PTE. LTD.**  
1 Genting Lane, #07-00, Kenwood Building, Singapore, 349544

**KENWOOD ELECTRONICS (MALAYSIA) SDN BHD**  
#4.01 Level 4, Wisma Academy Lot 4A, Jalan 19/1, 46300 Petaling Jaya, Selangor Darul Ehsan, Malaysia